

# Cetus Mini

# THORN

96665713 CETUS MINI FH LED550-840 AJ IP20 CHR SA

IP20 IK02   T<sub>a</sub>25

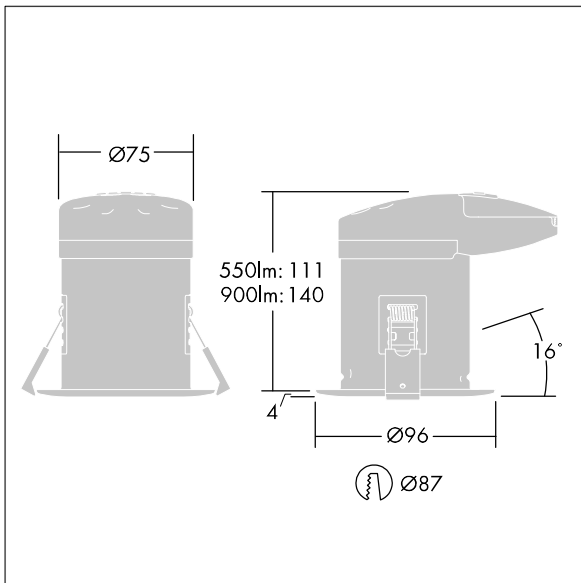
## Cetus Mini

An economical, fire rated, recessed LED downlight. Integrated phase-cut dimmable control gear. IP20, Class I electrical. Body: steel, painted white. Cover: polycarbonate, red and white. Bezel: aluminium, satin chrome. Suitable for mounting in ceiling thicknesses of 13-35mm in a Ø87mm cut-out. Complete with 4000K LED.

Dimensions: Ø100 x 111 mm  
Total power: 5.7 W  
Luminaire luminous flux: 580 lm  
Luminaire efficacy: 102 lm/W  
Weight: 0.54 kg



TLG\_CTUM\_F\_CHROMEFIREPDB.jpg



TLG\_CTUM\_M\_FHA.wmf

All values marked with an \* are rated values. Thorn uses tried and tested components from leading suppliers, however there may be isolated instances of technology-related failures of individual LEDs during the rated product lifetime. International standards set the tolerance in initial flux and connected load at  $\pm 10\%$ . Colour temperature is subject to a tolerance of up to  $\pm 150$  Kelvin from the nominal value. Unless stated otherwise, the values apply to an ambient temperature of 25°C.

In most products the failure of one LED point causes no functional impairment to the lighting performance of the luminaire and is therefore no reason for complaint. Unless otherwise stated all Thorn LED products are suitable for unrestricted use (rated RG0 or RG1) with regard photobiological blue light safety (IEC/EN60598-1).

Thorn Lighting is constantly developing and improving its products. The right is reserved to change specifications without prior notification or public announcement.  
© Thorn Lighting