

Omega Circular

THORN

96627765 OMEGA C LED1600-830 HFIX R200

IP20 IK02   $T_a 0$
 $+25$

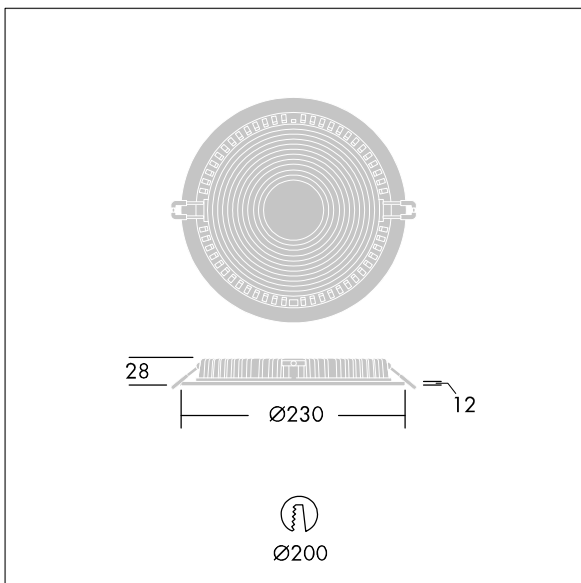
Omega Circular

A versatile, circular edge lit panel for recessed mounting in a $\varnothing 200$ mm cutout. Electronic, DALI dimmable control gear. Class II electrical (this product is not earthed), IP20. Body: aluminium and steel,. Diffuser: acrylic opal. Complete with 3000K LED.

Dimensions: $\varnothing 230 \times 28$ mm
Total power: 16.4 W
Luminaire luminous flux: 1579 lm
Luminaire efficacy: 96 lm/W
Weight: 1 kg



TLG_OMGC_F_R200PDB.jpg



TLG_OMGC_M_1600.wmf

All values marked with an * are rated values. Thorn uses tried and tested components from leading suppliers, however there may be isolated instances of technology-related failures of individual LEDs during the rated product lifetime. International standards set the tolerance in initial flux and connected load at $\pm 10\%$. Colour temperature is subject to a tolerance of up to ± 150 Kelvin from the nominal value. Unless stated otherwise, the values apply to an ambient temperature of 25°C .

In most products the failure of one LED point causes no functional impairment to the lighting performance of the luminaire and is therefore no reason for complaint. Unless otherwise stated all Thorn LED products are suitable for unrestricted use (rated RG0 or RG1) with regard photobiological blue light safety (IEC/EN60598-1).

Thorn Lighting is constantly developing and improving its products. The right is reserved to change specifications without prior notification or public announcement.
© Thorn Lighting

Omega Circular

96627765 OMEGA C LED1600-830 HFIX R200

THORN