

Voyager Blade

THORN

96642779 VOYAGER BLADE EXIT E3NM MSF

IP30   T_a 0
+35

Voyager Blade

Ultra slim, LED exit sign with 3 hour, non-maintained, manual test emergency lighting circuit. For ceiling or wall mounting. Body: aluminium. Blade: thin plastic. Class I electrical, IP30. Suitable for small area use with viewing distances up to 23m. Supplied with ISO LEFT/RIGHT legends only.

Dimensions: 268 x 42 x 192 mm

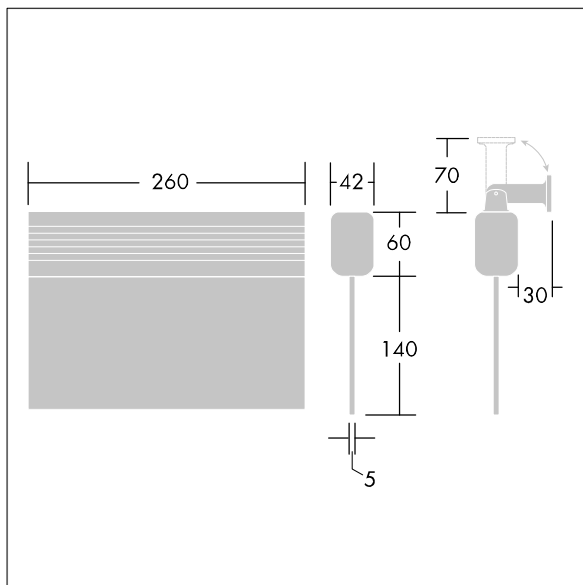
Total power: 2.2 W

Total luminous flux: 60 lm

Weight: 1 kg



TLG_VOYB_F_CEILINGPDB.jpg



TLG_VOYB_M_LD1.wmf

All values marked with an * are rated values. Thorn uses tried and tested components from leading suppliers, however there may be isolated instances of technology-related failures of individual LEDs during the rated product lifetime. International standards set the tolerance in initial flux and connected load at $\pm 10\%$. Colour temperature is subject to a tolerance of up to ± 150 Kelvin from the nominal value. Unless stated otherwise, the values apply to an ambient temperature of 25°C .

In most products the failure of one LED point causes no functional impairment to the lighting performance of the luminaire and is therefore no reason for complaint. Unless otherwise stated all Thorn LED products are suitable for unrestricted use (rated RG0 or RG1) with regard photobiological blue light safety (IEC/EN60598-1).

Thorn Lighting is constantly developing and improving its products. The right is reserved to change specifications without prior notification or public announcement.
© Thorn Lighting