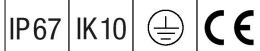


Mica

96271515 MICA SLIM I 9L90 ACC 8D 840 AL SF



Mica

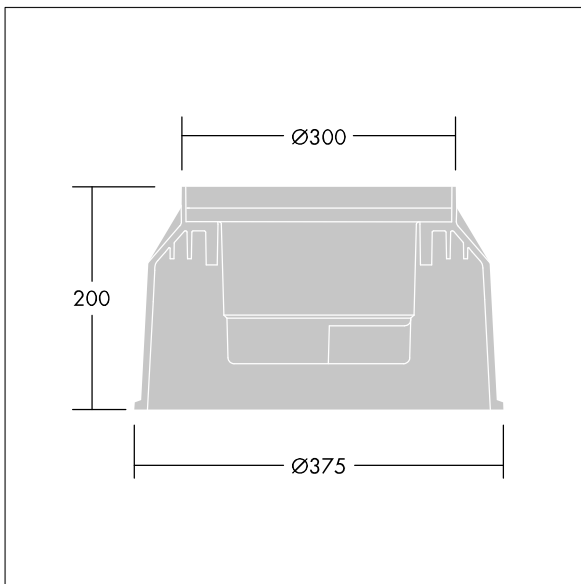
A large, shallow, round ground recessed luminaire. 9 LED (s) driven at 900mA by integral driver. 8° beam angle for driveover illumination applications. Tilting angle adjustment of ±15°. Body: die-cast aluminium with powdered paint finish. Frame: painted aluminium, 3mm thick. Front glass: semi-frosted toughened glass, 15mm thick, surface temperature complies with EN60598-2-13. Pre-wired with 0.5m cable. Recessing box: polypropylene. Rated IP67, class I electrical. Maximum static load 3500kg. Complete with 4000K LED

Mica and Mica Slim can be installed in areas with a maximum low speed of 30km/h for the flat versions and 20km/h for the dome versions.

Dimensions: Ø310 x 200 mm
 Total power: 27.3 W
 Luminaire luminous flux: 1660 lm
 Luminaire efficacy: 61 lm/W
 Weight: 8.49 kg



TLG_MICA_F_S19LEDALSF.jpg



TLG_MICA_M_2015LDLSLMIAL.wmf

All values marked with an * are rated values. Thorn uses tried and tested components from leading suppliers, however there may be isolated instances of technology-related failures of individual LEDs during the rated product lifetime. International standards set the tolerance in initial flux and connected load at ±10%. Colour temperature is subject to a tolerance of up to +/-150 Kelvin from the nominal value. Unless stated otherwise, the values apply to an ambient temperature of 25°C.

In most products the failure of one LED point causes no functional impairment to the lighting performance of the luminaire and is therefore no reason for complaint. Unless otherwise stated all Thorn LED products are suitable for unrestricted use (rated RG0 or RG1) with regard photobiological blue light safety (IEC/EN60598-1).

Thorn Lighting is constantly developing and improving its products. The right is reserved to change specifications without prior notification or public announcement.
 © Thorn Lighting

Mica

96271515 MICA SLIM I 9L90 ACC 8D 840 AL SF

THORN