

Dyana LED

THORN

96263161 DYANA LED 36L70 NR 740 BP CL1 MA76

IP66 IK10  

Dyana LED

A high quality LED luminaire with narrow road light distribution and Electronic, control gear. With power reduction function. Body, canopy and spigot: die-cast aluminium, textured anthracite finish. Enclosure: 5mm thick, toughened glass. Class I electrical, IP66. IK10. Supplied, ready to install, in a single box. Complete with 4000K LED

Mounting: Ø76mm post-top with 5° or 10° tilt, or side entry with 0° or -5° tilt.

Dimensions: 595 x 511 x 234 mm

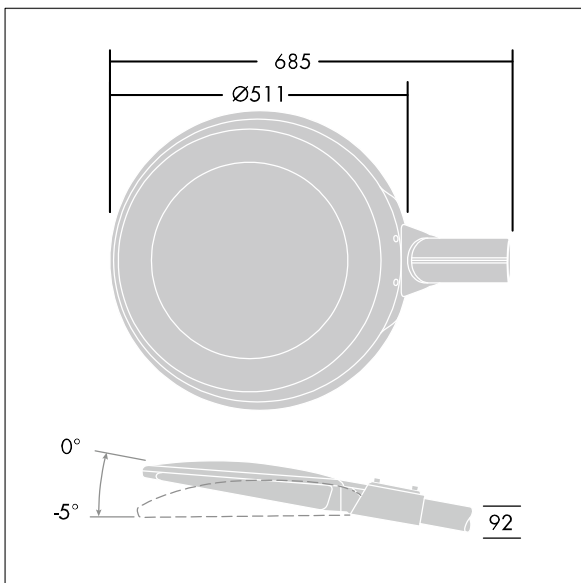
Total power: 77 W

Weight: 10.28 kg

Scx: 0.03 m²



TLG_DYNA_F_LED1_1_14.jpg



TLG_DYNA_M_LED MLE.wmf

All values marked with an * are rated values. Thorn uses tried and tested components from leading suppliers, however there may be isolated instances of technology-related failures of individual LEDs during the rated product lifetime. International standards set the tolerance in initial flux and connected load at ±10%. Colour temperature is subject to a tolerance of up to +/-150 Kelvin from the nominal value. Unless stated otherwise, the values apply to an ambient temperature of 25°C.

In most products the failure of one LED point causes no functional impairment to the lighting performance of the luminaire and is therefore no reason for complaint. Unless otherwise stated all Thorn LED products are suitable for unrestricted use (rated RG0 or RG1) with regard photobiological blue light safety (IEC/EN60598-1).

Thorn Lighting is constantly developing and improving its products. The right is reserved to change specifications without prior notification or public announcement.
© Thorn Lighting

Dyana LED

96263161 DYANA LED 36L70 NR 740 BP CL1 MA76

THORN