



Titus Sport

96550484 TITUS SPORT 4X49W HFI L840

THORN

IP21 IP23 IK09   T_a25

Titus Sport

Surface luminaire for 4 x 49W T16 lamp. Electronic, DALI / DSI digital dimmable control gear. Body: white powder coated galvanised steel with Miro finish specular aluminium reflector and hinged galvanised steel wire guard. Side access hatch for electrical connection. Suitable for surface or catenary mounting and tilting up to 50 degrees without rotational torque. Robust construction satisfies DIN 18032. 3 standard for Sports Halls. Optional louvre attachments are available. Complete with 840 lamp(s).

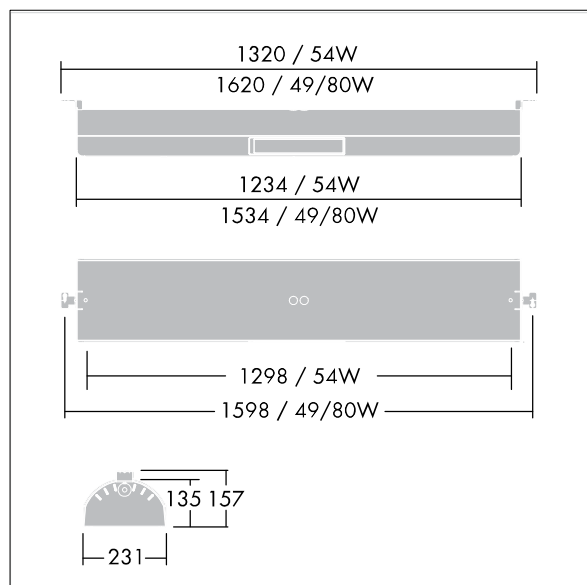
Dimensions: 1534 x 231 x 157 mm

Total power: 212 W

Weight: 9.2 kg



TLG_TITU_P_SP1.jpg



TLG_TITU_M_SPLD1.wmf

All values marked with an * are rated values. Unless stated otherwise, the values apply to an ambient temperature of 25°C.

Thorn Lighting is constantly developing and improving its products. The right is reserved to change specifications without prior notification or public announcement.
© Thorn Lighting