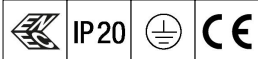


Discontinued

THORN

96209659 <OPTUS IV DI 2x49W HFI WHI DSB ML L840



Discontinued

A suspended luminaire with a modern slim design, suitable for both office and school applications. For 2x49W T16 lamp(s). Electronic, DALI / DSI digital dimmable control gear. Body: extruded aluminium with powder coated aluminium matt white finish. End Caps: die-cast zinc and satinbrite louvre in anodised aluminium. 60:40 direct/indirect light distribution. Class I electrical, IP20. Electrical connection via factory fitted 5 x 0.75mm² non halogen cable. Pre-mounted Quick Lock wire suspension kit included. Complete with 840 lamp(s).

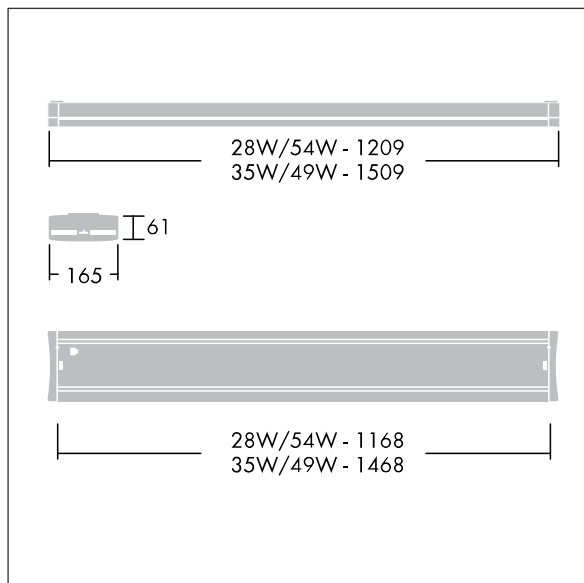
Dimensions: 1509 x 165 x 61 mm

Total power: 105.5 W

Weight: 3.3 kg



TLG_OPT4_F_2SUSWHIDSB.jpg



TLG_OPT4_M_SUSP.wmf

All values marked with an * are rated values. Unless stated otherwise, the values apply to an ambient temperature of 25°C.

Thorn Lighting is constantly developing and improving its products. The right is reserved to change specifications without prior notification or public announcement.
© Thorn Lighting

Discontinued

96209659 <OPTUS IV DI 2x49W HFI WHI DSB ML L840

THORN