

Discontinued

96548107 POPPACK PRO REFL LL 1/2X58

THORN

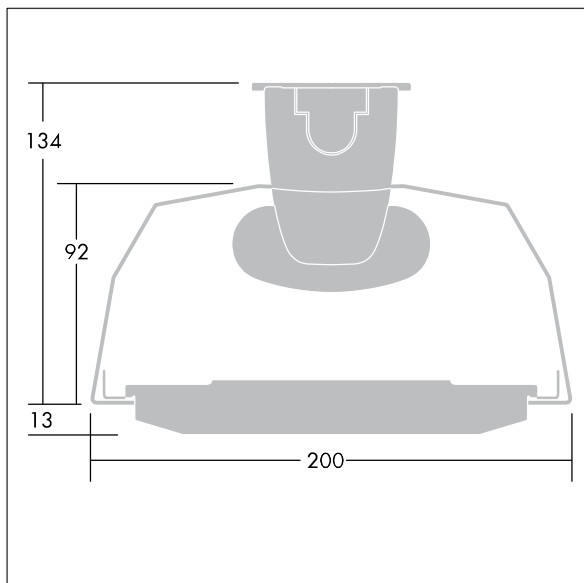
Discontinued

A white steel LiteLine reflector with white vane louvre insert for PopPack Pro batten with single or twin 58W lamps. Can be fitted to the luminaire without the need of any tools.

Dimensions: 1540 x 200 x 90 mm, weight: 1.1 kg



TLG_POPP_F_CLASSREFLLL.jpg



TLG_POPP_M_LDLITELREFWHILV.wmf