

Leopard

THORN

96238462 LEOPARD 1X16W TC-DD HF OP SQ WHI L830

IP65	IK10			850°C	T _a 25
------	------	---	---	-------	-------------------

A range of low energy square and round bulkheads available in black or white with a choice of size and diffuser options.

A square bulkhead luminaire for 1 x 16W TC-DDEL lamp. electronic - fixed output circuit. white body with opal polycarbonate plastic diffuser. Electrical safety class I. Ingress protection IP65. Supplied with 830 lamp.

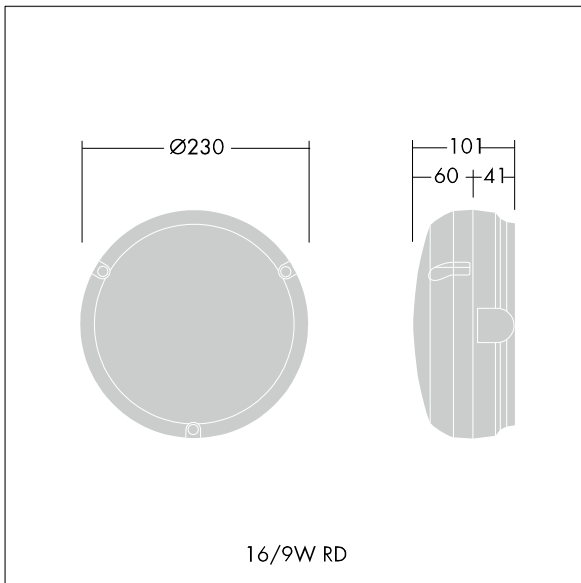
Dimensions: 196 x 196 x 101 mm

Total power: 18 W

Weight: 1.1 kg



TLG_LPRD_F_LSWO.jpg



TLG_LPRD_M_SRLD1.wmf

All values marked with an * are rated values. Unless stated otherwise, the values apply to an ambient temperature of 25°C.

Thorn Lighting is constantly developing and improving its products. The right is reserved to change specifications without prior notification or public announcement.
© Thorn Lighting

Leopard

96238462 LEOPARD 1X16W TC-DD HF OP SQ WHI L830

THORN