

AquaForce II

96503054 AQUAF2 1x58W T26 HF E3 L840

IP65  IK08   850°C  Ta25

A highly durable IP65 luminaire for use in wet and dusty environments, where reliability and peace of mind are important

IP65 dust and moisture resistant luminaire for 1 x 58W T26 lamp(s) with electronic - fixed output circuit and 3 hour manual test emergency function. Class I electrical. Canopy: light grey polycarbonate, diffuser: polycarbonate with internal prisms. For surface or suspended mounting. Quick-fix installation brackets are supplied with each luminaire for surface mounting and optional accessory kits are available to assist with other mounting options. Complete with 840 lamp(s).

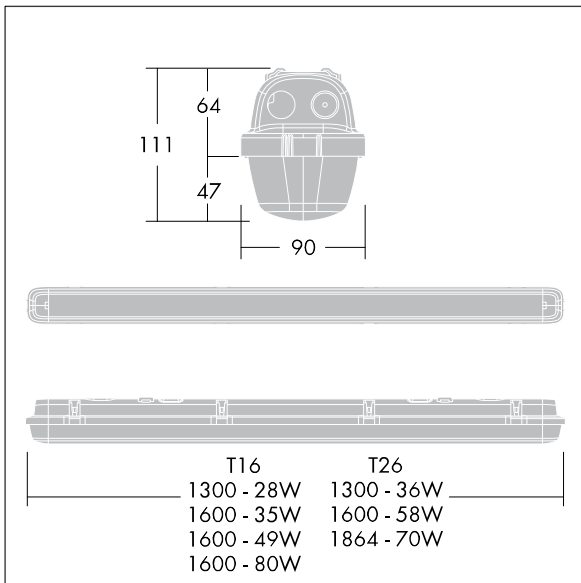
Dimensions: 1600 x 94 x 118 mm

Total power: 54.5 W

Weight: 3.1 kg



TLG_AQU2_F_SINGLE.jpg



TLG_AQU2_M_IILD1.wmf