

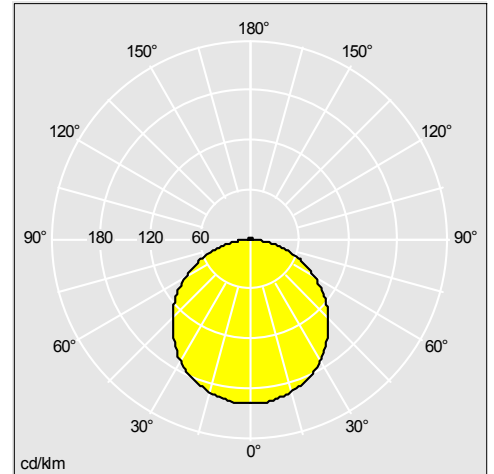
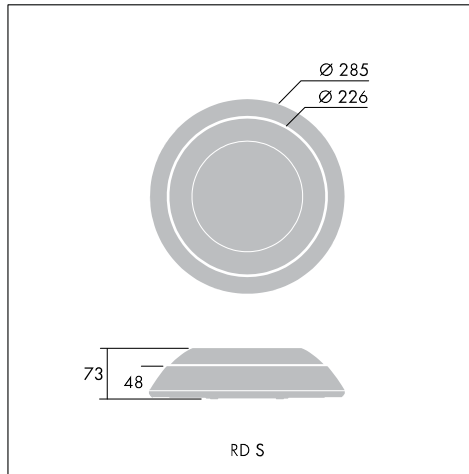
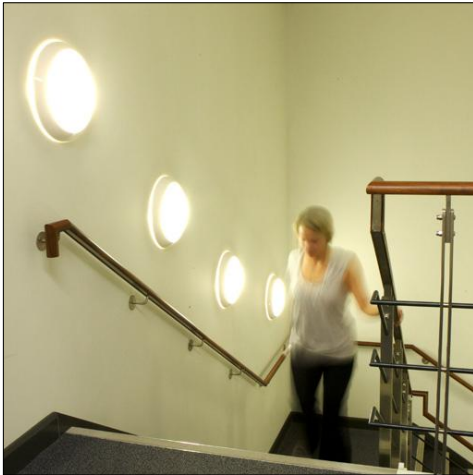
Danube

Stylish luminaire for wall or ceiling mounting with low profile flared bezel and diffuser

- Sealed to IP65.
- Available in two sizes, with a circular or square design
- Supplied with Quick Fix Bracket for safe and rapid electrical installation



Photographs, line drawings and photometric data are representative only. For specific product detail please select an individual product.



96503572

Material/Finish

Body: die-cast aluminium (large versions); injection moulded polycarbonate (small versions).

Diffuser: opal polycarbonate or clear prismatic polycarbonate

Bezel: polycarbonate, white or black finish

Installation/Mounting

Suitable for surface mounting on wall or ceiling for both interior and exterior use. Quick Fix Bracket is screw fixed onto mounting surface by 4 oblong holes (4.5mm x 10mm). Mains connection via 6x2x2.5mm² terminal block. 'Light Box' mechanically and electrically auto-connected to the Quick Fix Bracket. For loop wiring there are two Ø20mm cable entry holes on the Quick Fix Bracket.

Specification

To specify state:

Bold and versatile circular or square luminaire for 1200lm LED, 26W TC-DEL, 16/28/38W TC-DDEL compact fluorescent lamps with polycarbonate body, 'flat' opal and prismatic diffuser with attachments in colour mounted on to an injection moulded polycarbonate body with lamp, electronic and integral emergency gear connected to Quick Fix Bracket.

As Thorn Danube.

Danube

Ordering Guide Supplied complete with Quick Fix Bracket and lamp(s)

Description	ILCOS Code	Socket	Wt (kg)	SAP Code
Danube LED				
DA 1200 LED HF OP RD WHI L840	LED		1,57	96241362
DA 1200 LED HF E3 OP RD WHI L840	LED		1,82	96241363
Danube Round, small, opal diffuser				
DA 1x16w TC-DDEL HF OP RD S WHI	FSS	GR10q	0,95	96219040
Danube Round, small, prismatic diffuser				
DA 1x16w TC-DDEL HF PR RD S WHI	FSS	GR10q	0,95	96219064
Danube Round, large, opal diffuser				
DA 1x28w TC-DDEL HF OP RD L AL WHI	FSS	GR10q	3,7	96503573
DA 2x26w TC-DEL HF OP RD L AL WHI	FSQ	G24q-3	2,286	96503549
DA 1x38w TC-DDEL HF OP RD L AL WHI	FSS	GR10q	3,7	96503589
Danube Round, large, opal diffuser, dimmable				
DA 2x26w TC-DEL HFI OP RD L AL WHI	FSQ	G24q-3	2,5	96549080
Danube Round, large, opal diffuser - emergency version				
DA 1x28w TC-DDEL HF E3 OP RD L AL WHI	FSS	GR10q	3,7	96503581
DA 1x38w TC-DDEL HF E3 OP RD L AL WHI	FSS	GR10q	3,2	96503597
Danube Round, large, prismatic diffuser				
DA 2x26w TC-DEL HF PR RD L AL WHI	FSQ	G24q-3	2,286	96503555
DA 1x28w TC-DDEL HF PR RD L AL WHI	FSS	GR10q	2,6	96503579
DA 1x38w TC-DDEL HF PR RD L AL WHI	FSS	GR10q	2,5	96503595
Danube Round, large, prismatic diffuser, dimmable				
DA 2x26w TC-DEL HFI PR RD L AL WHI	FSQ	G24q-3	2,436	96549082
Danube Round, large, prismatic diffuser - emergency version				
DA 1x38w TC-DDEL HF E3 PR RD L AL WHI	FSS	GR10q	3	96503603
DA 1x28w TC-DDEL HF E3 PR RD L AL WHI	FSS	GR10q	3	96503587