

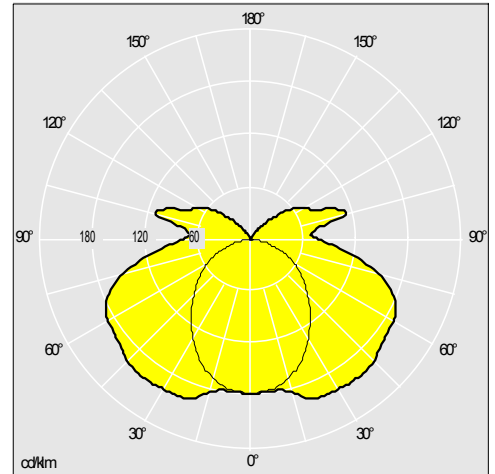
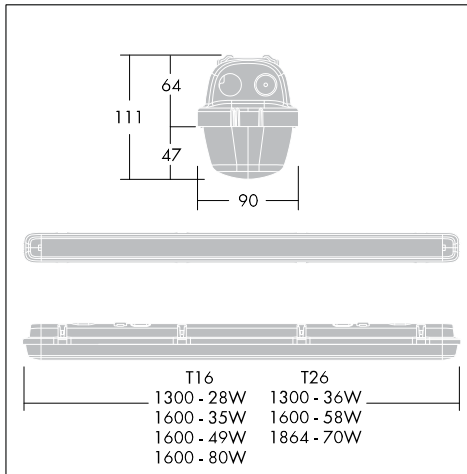
AquaForce II

A highly durable, IP65 rated, luminaire for use in wet and dusty areas, where reliability is important

- Deep gasket channel for an assured IP65 seal
- Suspensible gear tray for easy maintenance
- Connect, ready to install versions



Photographs, line drawings and photometric data are representative only. For specific product detail please select an individual product.



96236888

Material/Finish

Canopy and diffuser: injection moulded fire retardant polycarbonate.
 Gear tray: sheet steel, white enamel finish
 Toggles: polycarbonate (stainless steel available)

Installation/Mounting

Cable entry positions at the back and each end of the fitting. Stainless steel quick-fix brackets supplied with each luminaire. Toggle clips easy to fit and close by hand. Connect versions available with fast electrical connection facility. Conduit box mounting, chain suspension, conduit suspension and catenary suspension kits, plus through wire kits are all available (see accessories listing). Suitable for all indoor plus external 'under cover only' applications.

Specification

To specify state:
 Deep channel, polycarbonate IP65 luminaire with stainless steel gear tray and stainless steel fixing clips.
 As Thorn AquaForce II

AquaForce II

Ordering Guide Supplied complete with lamp(s)

Description	ILCOS Code	Socket	Wt (kg)	SAP Code
AquaForce II T16				
AQUAF2 1x28W T16 HF L840	FDH	G5	2,1	96236923
AQUAF2 1x49W T16 HF L840	FDH	G5	2,5	96236925
AQUAF2 1x35W T16 HF L840	FDH	G5	2,4	96236924
AQUAF2 1x80W T16 HF L840	FDH	G5	2,5	96236926
AQUAF2 2x28W T16 HF L840	FDH	G5	2,5	96236927
AQUAF2 2x35W T16 HF L840	FDH	G5	2,5	96236928
AQUAF2 2x49W T16 HF L840	FDH	G5	2,5	96236929
AquaForce II T16 dimmable				
AQUAF2 1x35W T16 HFI L840	FDH	G5	2,4	96240564
AQUAF2 1x49W T16 HFI L840	FDH	G5	2,45	96240565
AQUAF2 2x35W T16 HFI L840	FDH	G5	2,9	96240566
AQUAF2 2x49W T16 HFI L840	FDH	G5	3,4	96240567
AquaForce II T16 emergency				
AQUAF2 2x35W T16 HF E3 L840	FDH	G5	4,7	96236934
AQUAF2 2x49W T16 HF E3 L840	FDH	G5	3,5	96236935
AQUAF2 2x28W T16 HF E3 L840	FDH	G5	3,5	96236933
AQUAF2 1x49W T16 HF E3 L840	FDH	G5	3,5	96236932
AQUAF2 1x28W T16 HF E3 L840	FDH	G5	2,9	96236930
AQUAF2 1x35W T16 HF E3 L840	FDH	G5	2,9	96236931
AquaForce II T26				
AQUAF2 1x36W T26 HF L840	FD	G13	1,8	96503023
AQUAF2 1x58W T26 HF L840	FD	G13	1,8	96503046
AQUAF2 1x70W T26 HF L840	FD	G13	3,7	96503069
AQUAF2 2x36W T26 HF L840	FD	G13	2,6	96503092
AQUAF2 2x58W T26 HF L840	FD	G13	3,1	96503115
AQUAF2 2x70W T26 HF L840	FD	G13	3	96503138
AquaForce II T26 emergency				
AQUAF2 2x58W T26 HF E3 L840	FD	G13	4,1	96503123
AQUAF2 1x58W T26 HF E3 L840	FD	G13	3,1	96503054
AQUAF2 1x36W T26 HF E3 L840	FD	G13	2,6	96503031
AQUAF2 1x70W T26 HF E3 L840	FD	G13	4	96503077
AQUAF2 2x36W T26 HF E3 L840	FD	G13	3,4	96503100
AQUAF2 2x70W T26 HF E3 L840	FD	G13	4	96503146
AquaForce II accessories				
FORCE2 BESA KIT			0,53	96503168
FORCE2 MRS KIT			0,06	96503169
FORCE2 28/36 TW KIT HGF			2	96503163
FORCE2 35/49/58 TW KIT HGF			2	96503164
FORCE2 FIX KIT			0,02	96503166
FORCE2 FIX/CH KIT			0,02	96503167
FORCE2 28/36 RS CLIP KIT			0,05	96503157
FORCE2 35/49/58 RS CLIP KIT			0,06	96503158

AquaForce II

Description	ILCOS Code	Socket	Wt (kg)	SAP Code
FORCE2 28/36 PC CLIP KIT			0,04	96503160
FORCE2 35/49/58 PC CLIP KIT			0,05	96503161
FORCE2 MCA KIT			0,1	96233817
FORCE2 R 1x28/36/54			0,52	96235134
FORCE2 R 1x35/49/58/80			0,15	96235135
FORCE2 R 2x28/36			0,25	96235136
FORCE2 R 2x35/49/58			0,65	96235137