

THORN
LIGHTING



EQUALINE

Aesthetic, flexible, simple



MORE INFORMATION
ABOUT EQUALINE
THORNLIGHTING.COM/EQUA

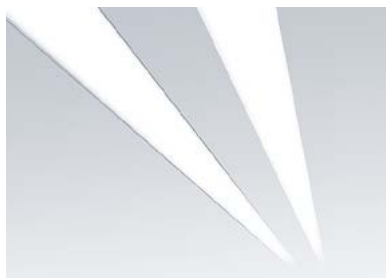
EQUALINE

A CONTEMPORARY EDGE DESIGN

The new generation of EQUALINE from Thorn Lighting puts great aesthetic design within the reach of every project. The flexible, modular system lets you create the right solution to fit any space. The homogenous appearance creates a quality lit effect that increases visual comfort. Clean lines of light give a bold and contemporary edge to any installation.

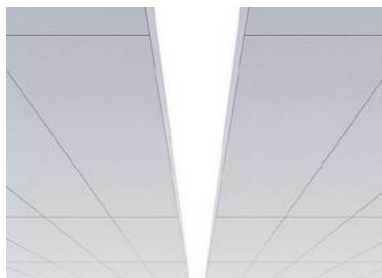
With a range of simple installation options and a user-friendly online tool to configure your solution, EQUALINE keeps things simple for electricians and contractors – and the whole package comes at an attractive price.

AESTHETIC MOUNTING FOR EACH CEILING TYPE



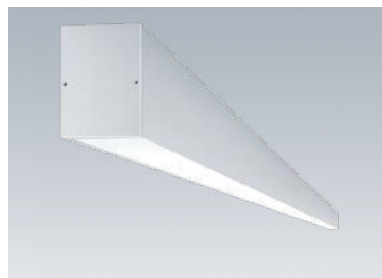
PLASTERBOARD INTEGRATION

Framed channel for easy integration into plasterboard by electrician only. Frameless channel for purist integration into plasterboard.



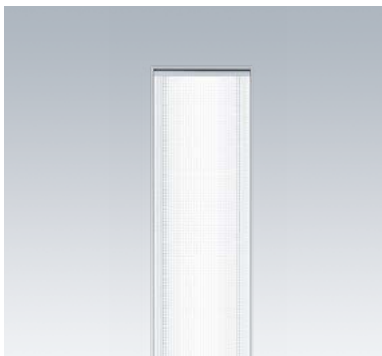
MODULAR CEILING

Channel with wide frame for installation in visible and hidden T bar ceilings. Single and continuous row installation.



SUSPENDED AND SURFACE MOUNTED

Frameless channel and special accessory for suspended, surface-mounted, wall installation. You can choose between silver and white colours. Colours of luminaire and ceiling rose can be selected separately.



The perfect look and feel

With its homogeneous appearance and lumen packages of up to 1760 lm per metre (opal optic), the new EQUALINE enables the perfect look and feel. Create continuous straight lines – and go up to 3 metres. The office (LRO) optics provide a unified glare rating (UGR) of < 19, for comfortable, compliant and high-quality light.



A modular system

The new EQUALINE comprises a comprehensive system of different lengths, shapes and optics – all easily configured using Thorn's online configurator. As well as continuous, seamless lines, corner elements allow L-shaped, U-shaped or square formations to be created (only valid for opal optic, not LRO optic). Lengths in increments of 25 cm create continuous rows and special lengths of 600, 1200 and 1800 are available to fit with standard modular ceilings. Or create your own custom length by simply cutting the channels on site and centering the batten in the channel.

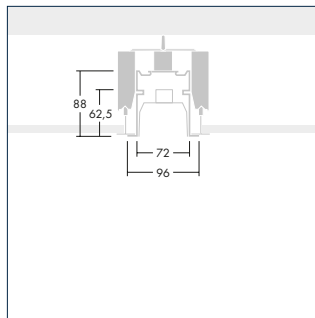


Proven installation method

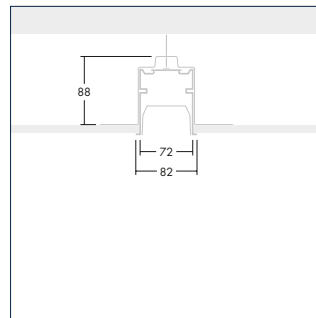
EQUALINE is using proven and simple installation methods. Initially channels are installed using the relevant accessories for the ceiling type. Battens and optic are installed by simply clicking into the channel. LED battens are equipped with the driver and 2 terminal blocks which allow easy connection of power supply and the next batten. No need to install complex wiring loom! The EQUALINE installation method is easy to understand and minimizes the risk of failures.

<p>OPAL (PM) AND LRO OPTICS</p>	<p>1760 lm/m (OPAL) 1500 lm/m (LRO)</p>	<p>OPAL: UP TO 89 lm/W LRO: UP TO 76 lm/W</p>	<p>FIXED OUTPUT / DALI DIMMABLE</p>	<p>UGR < 19 (LRO)</p>
<p>WHITE AND SILVER COLOURS</p>	<p>3000 K 4000 K</p>	<p>50 000 h L80@Ta 25°C</p>	<p>E3D (1,5m BATTEN)</p>	<p>IP40</p>

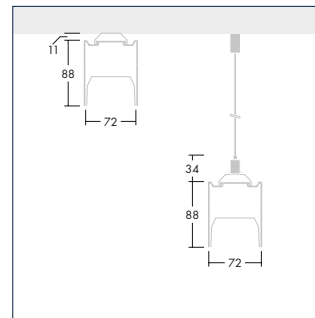
DIMENSIONS



Recessed modular ceiling



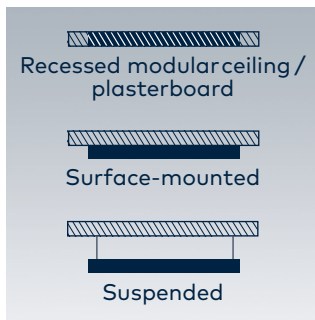
Recessed plasterboard



Surface-mounted/
suspended

APPLICATIONS

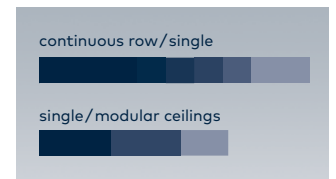
<p>OFFICE</p>
<p>EDUCATION</p>



MOUNTING TYPES



SHAPES: linear, L, U and square



LENGTHS:
1 / 1.25 / 1.5 / 1.75 / 2 / 3 m
(continuous row / single)
0.6 / 1.2 / 1.8 m
(single / modular ceilings)

Configure a lighting solution with myProduct. The myProduct configurator allows you to quickly and easily configure a lighting solution. **Try it now at www.thornlighting.com/myproduct**



As a globally leading luminaire manufacturer, Thorn Lighting provides a five-year warranty for its complete product range within all European Countries.
thornlighting.com/guarantee

Thorn Lighting is constantly developing and improving its products. All descriptions, illustrations, drawings and specifications in this publication present only general particulars and shall not form part of any contract. The right is reserved to change specifications without prior notification or public announcement. All goods supplied by the company are supplied subject to the company's General Conditions of Sale, a copy of which is available on request. All measurements are in millimetres and weights in kilograms unless otherwise stated.
02/2020 (INT)

**WE
MAKE
LIGHT
WORK**