

Technical Information

Design

BSEN40, PD6547: 2004+A1: 2009 (No Sign)  
 Load Class B  
 Deflection Class 3

Head load - See Table

Finish

Galvanised to BSEN 1461:2022

Welding

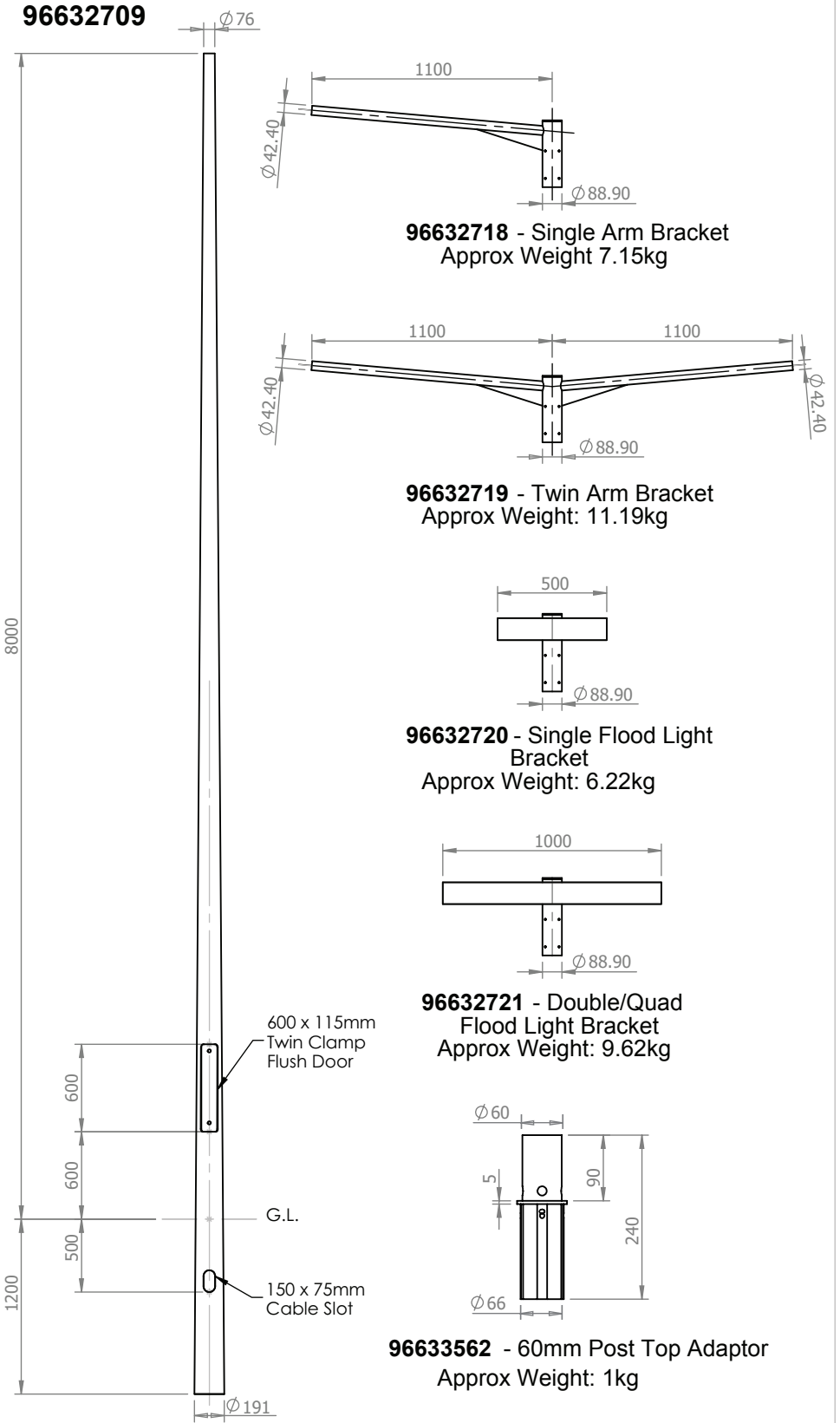
In accordance with BSEN1011  
 Procedures to BSEN ISO 15614-1:2017  
 Welders qualified to BSEN ISO 9606-1:2017

\* Maximum design head load based on wind loading region with orientation of bracket/luminaire(s) being on the same plane as door

Approximate Column Weight: 100kg

Maximum Loading Including Bracket		
Wind Loading Region	Terrain Category	Weight/Area
Extra Light	I	100kg/0.96m <sup>2</sup>
	II	110kg/1.2m <sup>2</sup>
Light	I	85kg/0.80m <sup>2</sup>
	II	100kg/1.05m <sup>2</sup>
Medium	I	75kg/0.71m <sup>2</sup>
	II	90kg/0.95m <sup>2</sup>
Heavy	I	65kg/0.63m <sup>2</sup>
	II	80kg/0.85m <sup>2</sup>
Extra Heavy	I	50kg/0.42m <sup>2</sup>
	II	60kg/0.61m <sup>2</sup>

3rd Angle




Notes  
 All dimensions in millimetres unless stated otherwise.  
 When Multiple views are shown 3rd Angle Projection is assumed.

Title  
 8 Metre Tapered/Conical Root Mounted Post Top Column

Drg No. 49379-0

Scale:1:45  
 Sheet 1 of 1