

Technical Information

3rd Angle

Design

BSEN40, PD6547: 2004+A1: 2009 (No Sign)

Load Class: B

Deflection Class: 3

Head load- See Table

Finish

Galvanised to BSEN 1461:2009

Welding

In accordance with BSEN1011

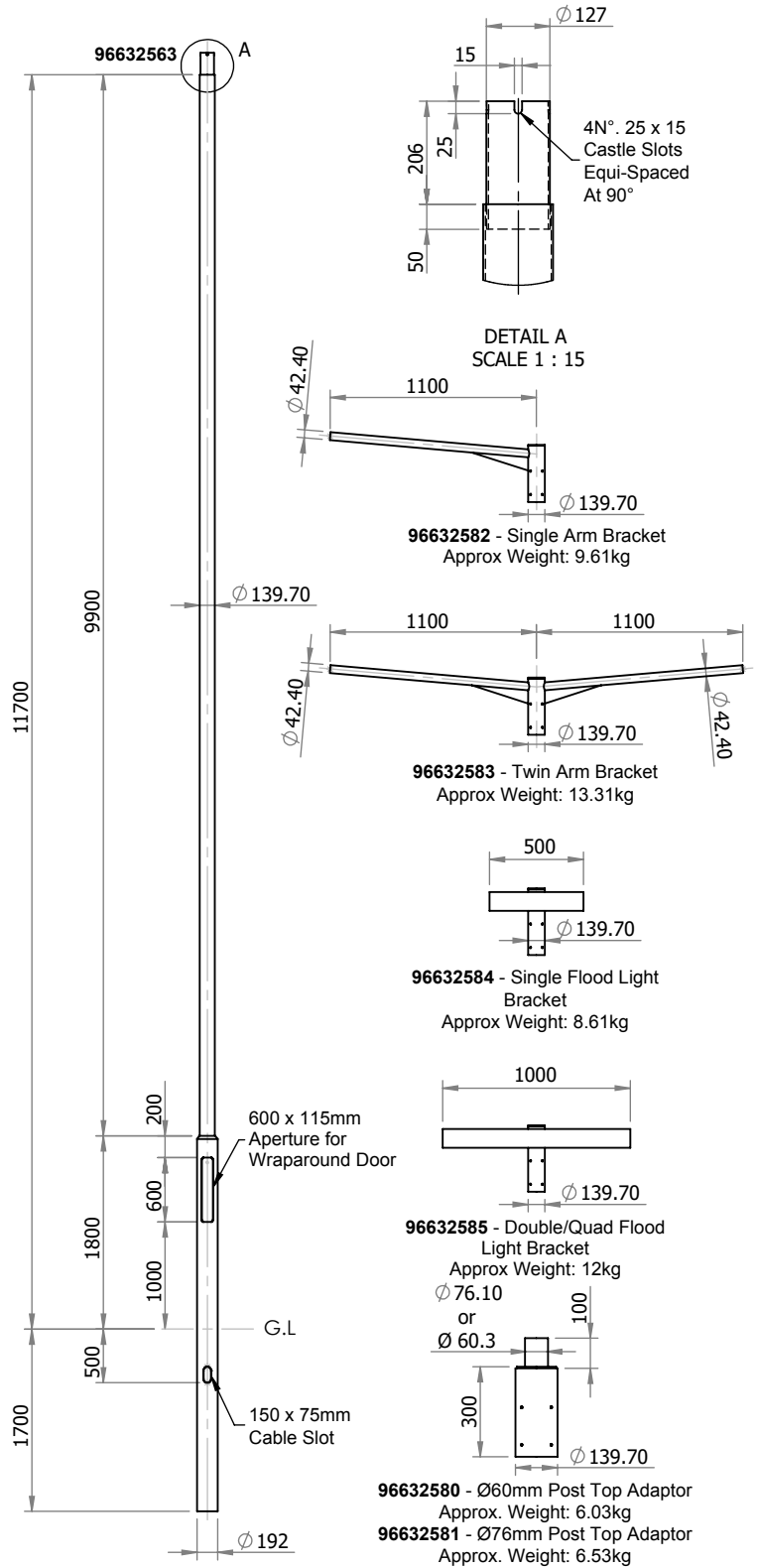
Procedures to BSEN ISO 15614-1:2017

Welders qualified to BSEN ISO 9606-1:2017

* Maximum design head load based on wind loading region with orientation of bracket/ luminaire(s) being on the same plane as door

Approximate Column Weight: 224.64kg

Wind Loading Region	Terrain Category	Weight/Area
Extra Light	I	70kg/0.62m ²
	II	90kg/0.90m ²
Light	I	54kg/0.47m ²
	II	72kg/0.69m ²
Medium	I	45kg/0.42m ²
	II	62kg/0.57m ²
Heavy	I	42kg/0.37m ²
	II	58kg/0.47m ²
Extra Heavy	I	29kg/0.27m ²
	II	38kg/0.35m ²



THORN
LIGHTING

Notes

All dimensions in millimetres unless stated otherwise.

When Multiple views are shown 3rd Angle Projection is assumed.

Title

12 Metre Stepped/Tubular Root Mounted Post Top Column

Drg No. 35927-1

Scale:1:70

Sheet 1 of 1