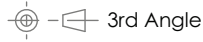


Technical Information



Design

BSEN40, PD6547: 2004+A1: 2009 (No sign)

Load class B

Deflection class 3

Head load- See Table

Finish

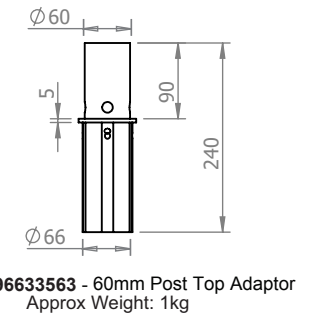
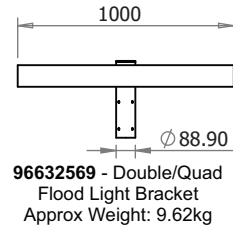
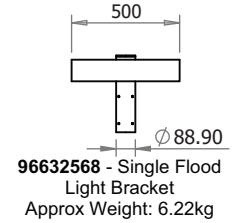
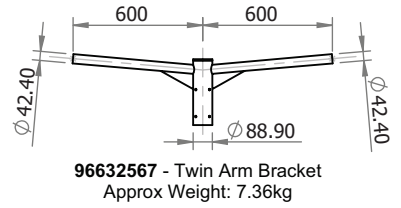
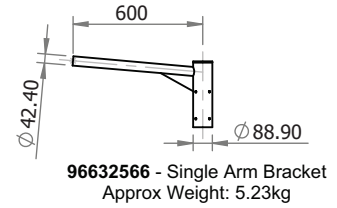
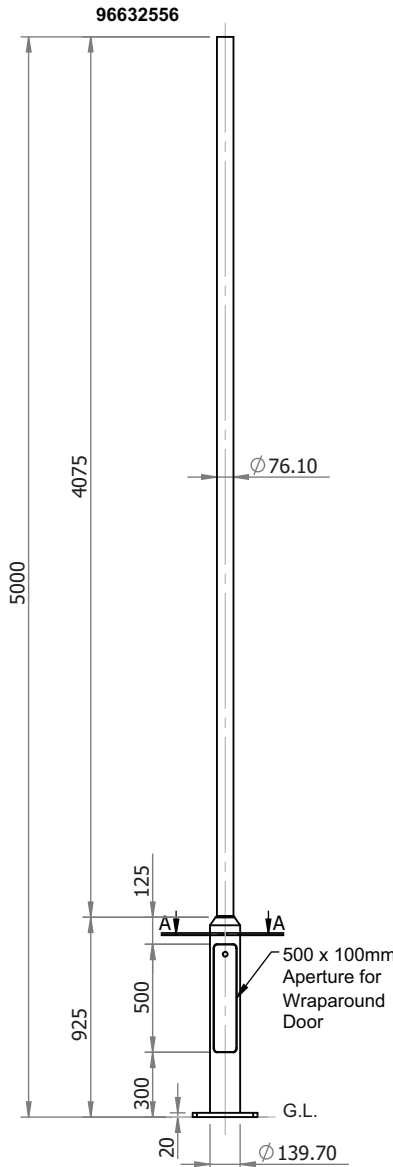
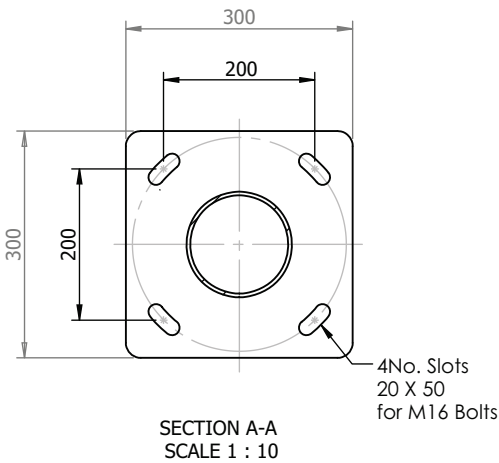
Galvanised to BSEN 1461:2022

Welding

In accordance with BSEN1011  
Procedures to BSEN ISO 15614-1:2017  
Welders qualified to BSEN ISO 9606-1:2017

\* Maximum design head load based on wind loading region with orientation of bracket/ luminaire(s) being on same plane as door  
Approximate Column Weight: 42.45kg

Maximum Loading including Bracket		
Wind Loading Region	Terrain Category	Weight/Area
Extra Light	II	75kg/0.72m <sup>2</sup>
	III	85kg/0.87m <sup>2</sup>
Light	II	70kg/0.62m <sup>2</sup>
	III	80kg/0.75m <sup>2</sup>
Medium	II	60kg/0.57m <sup>2</sup>
	III	73kg/0.69m <sup>2</sup>
Heavy	II	50kg/0.53m <sup>2</sup>
	III	65kg/0.63m <sup>2</sup>
Extra Heavy	II	45kg/0.41m <sup>2</sup>
	III	53kg/0.49m <sup>2</sup>



**THORN**  
LIGHTING


Notes  
All dimensions in millimetres unless stated otherwise.  
When Multiple views are shown 3rd Angle Projection is assumed.

Title  
5 Metre Stepped/Tubular Flange Plated Post Top Column

Drg No. 35920-5 Scale:1:35  
Sheet 1 of 1